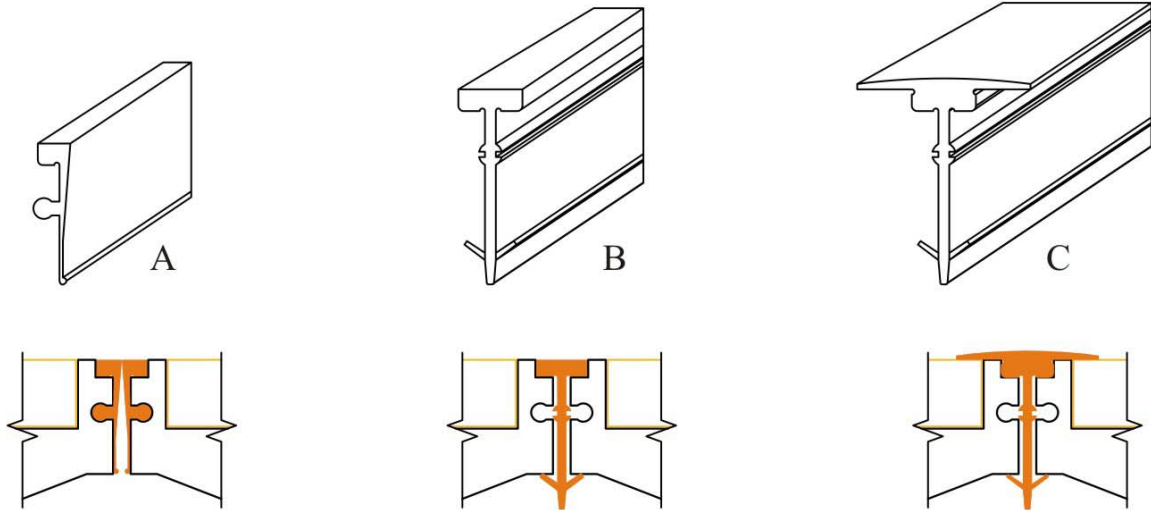
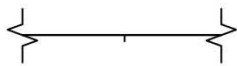


ARCHITECTURAL BRIDGE STRIPS

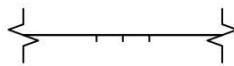
The Architectural Bridge Strips are pre-cut specifically designed plastic strips, which are inserted between the TABLA Panel joints to limit concrete seepage. TABLA offers three types of ABS strips which allow you to decide what type of ceiling finish you desire. Option A is installed prior to erecting the panels, where as, option B & C are inserted between the panels by foot after erecting the panels prior to pour. The ABS is color coded for quick identification between side and end rails of panels. Simply match colors to install.



Strip And Walk Ceilings



ABS Finish
Joint
A
Some Seam Leak
May Need Removal



ABS Finish
Flat
B
Flat, Minimal or No
Finishing Required



ABS Finish
Profile
C
Little or No
Finishing Required



In California U.S.A., this ceiling finish (see option C image) is desired in garages by contractors, architects and owners. The concrete contractor has little to do to the ceiling after removing the TABLA Panels and Props exposing a symmetrical ceiling finish. The indentation is less than 1/16" deep and if desired can be covered with a skim coat over the recess.

